



element14

EN - For pricing and availability in your local country please visit one of the below links:

DE - Informationen zu Preisen und Verfügbarkeit in Ihrem Land erhalten Sie über die unten aufgeführten Links:

FR - Pour connaître les tarifs et la disponibilité dans votre pays, cliquez sur l'un des liens suivants:

[E3S-X3CB4](#)

EN

This Datasheet is presented by
the manufacturer

DE

Dieses Datenblatt wird vom
Hersteller bereitgestellt

FR

Cette fiche technique est
présentée par le fabricant



Sensing distance	Supply voltage	Output
 (Optical fiber series)	10 to 30 VDC	 80 mA, 100 mA

Photoelectric Sensor

E3S-X

Fiber Optics Amplifier Unit with a Rugged Metal Housing

- Wide variety of fiber units allow detection in a limited space.
- Easy adjustment with LIGHT and STABILITY indicators.
- High-speed response time of 1 ms essential for sensing minute objects is provided.
- Mutual interference protective circuit allows side-by-side mounting of two fiber units.



Ordering Information

Amplifier Unit

Output	Model
NPN	E3S-X3CE4
PNP	E3S-X3CB4

Optical Fiber Units

To order optical fiber units, refer to the *E32 Datasheet (E48-E1)*.

Specifications

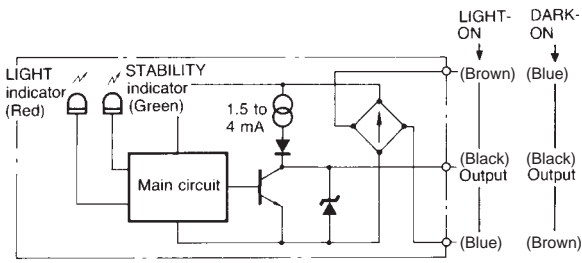
■ Ratings/Characteristics

Power supply voltage		12 VDC -10% to 24 VDC +10%; ripple (p-p): 10% max.
Current consumption		50 mA max.
Control output	DC solid-state	E4 (NPN): 80 mA max. B4 (PNP): 100 mA max.
	Voltage output	2.0 V max.
Response time (ON, OFF)		1 ms max.
Sensitivity		Adjustable
Operation mode		Wire-selectable (Refer to "Output Circuits")
Indicators		Light indicator (red), stability indicator (green)
Mutual interference protection		Provided
Enclosure rating		IEC144: IP66 NEMA: 1, 3, 4X, 12
Housing material		Metal
Light source		Infrared LED
Ambient temperature		Operating: -25 to 55 °C

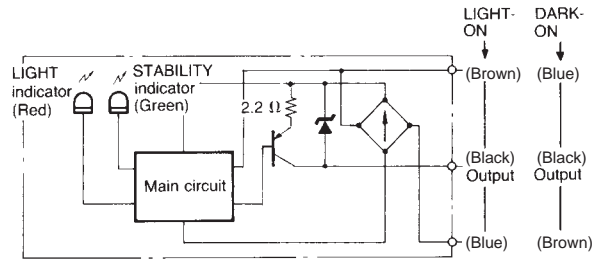
Operation

■ Output Circuits

E3S-X3CE4 (NPN Output)

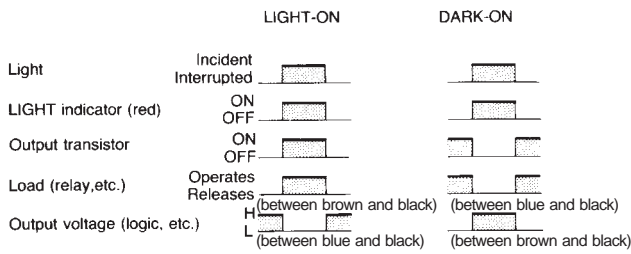


E3S-X3CB4 (PNP Output)

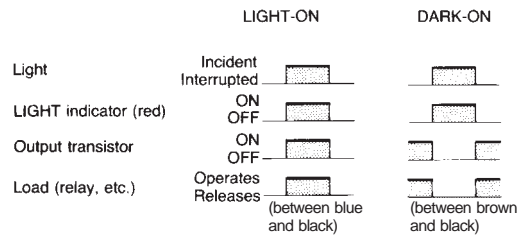


■ Timing Chart

E3S-X3CE4 (NPN Output)



E3S-X3CB4 (PNP Output)

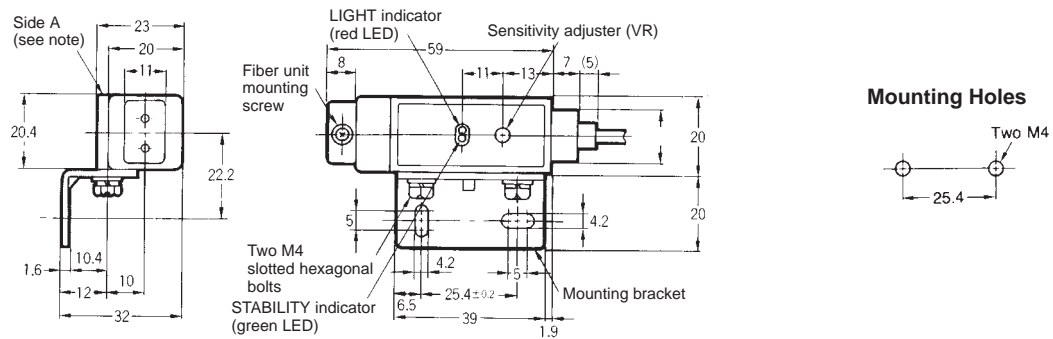


Dimensions

Note: All units are in millimeters unless otherwise indicated.

E3S-X3C□4

Cord: Polyvinyl chloride-covered cord
4.3C x 0.2-mm dia., 18/0.12
Standard length: 2 m



Note: A mounting bracket can be attached to side A.

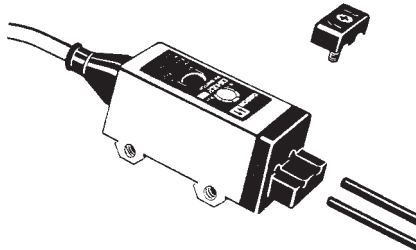
Precautions

Mounting the Fiber Unit

Plastic Fiber

To connect the fiber unit with the amplifier unit, insert the two cable ends of the fiber unit into the head of the amplifier unit, and sandwich them between the head and the cover fitting. Secure the cover fitting with the M3 screw.

If the fibers are not inserted completely, sensing distance may be shortened.



ALL DIMENSIONS SHOWN ARE IN MILLIMETERS.

To convert millimeters into inches, multiply by 0.03937. To convert grams into ounces, multiply by 0.03527.

Cat. No. E05-E1-8 **In the interest of product improvement, specifications are subject to change without notice.**

OMRON Corporation

Sensing Components & Systems Division
28th Fl., Crystal Tower Bldg.
1-2-27, Shiromi, Chuo-ku,
Osaka 540 Japan
Phone: 06-949-6012 Fax: 06-949-6021

Printed in Japan
0895-0.5M (0895) a



element14

EN - For pricing and availability in your local country please visit one of the below links:

DE - Informationen zu Preisen und Verfügbarkeit in Ihrem Land erhalten Sie über die unten aufgeführten Links:

FR - Pour connaître les tarifs et la disponibilité dans votre pays, cliquez sur l'un des liens suivants:

[E3S-X3CB4](#)

EN

This Datasheet is presented by
the manufacturer

DE

Dieses Datenblatt wird vom
Hersteller bereitgestellt

FR

Cette fiche technique est
présentée par le fabricant