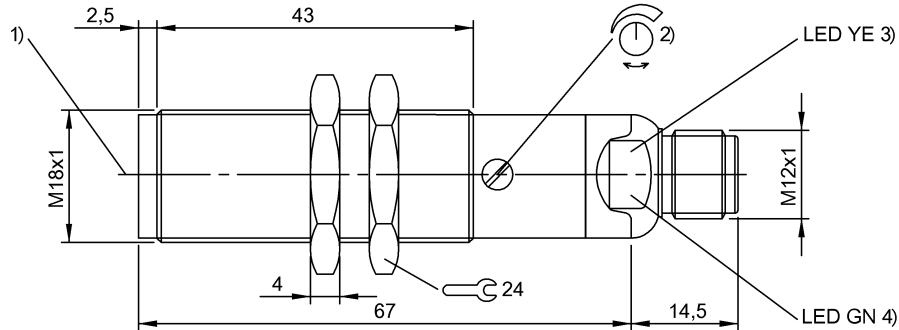


BOS 18M-PA-LE10-S4 BOS013K



1) Optical axis 2) Sn 3) Output function 4) Operating voltage



Display/Operation

Adjuster	Potentiometer 270° (1x)
Setting	Sensitivity (Sn)

Electrical connection

Connection	M12x1-Connector, 4-pole, A-coded
Polarity reversal protected	yes
Short-circuit protection	yes

Electrical data

MTTF (40 °C)	455 a
No-load current I _o max. at U _e	35 mA
Operating voltage U _b	10...30 VDC
Rated insulation voltage U _i	75 V DC
Rated operating current I _e DC	100 mA
Rated operating voltage U _e DC	24 V
Reference emitter	BOS 18M-XT-LS10-..
Switching frequency	1500 Hz
Turn-off delay t _{off} max.	0.33 ms
Turn-on delay t _{on} max.	0.33 ms
Utilization category	DC -13
Voltage drop U _d max. at I _e	2 V

Environmental conditions

Ambient temperature	-10...50 °C
Protection class	II
Protection type IEC 60529	IP67

Functional safety

Diagnostic coverage	0 %
Functional safety	no
Mission Time	10 a

General data

Approval/Conformity	CE cULus
Basic standard	IEC 60947-5-2
Series	18M
Style	Cylinder Straight optics

Material

Housing material	Brass
Material sensing surface	PMMA
Surface protection	nickel plates

Mechanical data

Dimension	Ø 18 x 81.5 mm
Fastening detail	Nut M18x1
Tightening torque max.	22 Nm

Optical data

Ambient light max.	5000 Lux
Light type	Laser Red light
Principle of optical operation	Through-beam sensor (receiver)

BOS 18M-PA-LE10-S4 BOS013K

Output/Interface

Switching output	PNP Normally closed (NC) PNP Normally open (NO)
------------------	--

Range/Distance

Measuring range	0...60 m
Range	0...60 m
Rated operating distance S_n	60 m, Adjustable

Ripple max. (% of U_e)

8 %

Remarks

Order accessories separately.

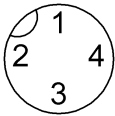
For additional information, refer to user's guide.

Actuation object (target): gray card, 200 x 200, lateral approach

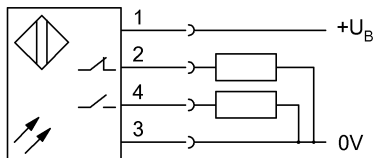
For further information on MTTF/B10d, please refer to the MTTF / B10d Certificate.

Specification of the MTTF value and the B10d value do not represent any binding quality and/or life expectancy guarantees.

Connector view



Wiring Diagram



Symbols for Optoelectronic Sensors

